

DUTCHWEST

Catalytic & Non-Catalytic Wood Burning Stoves



CLASSIC GOOD LOOKS. REMARKABLE PERFORMANCE.

Pure and simple.

With its clean lines & straightforward DESIGN,

a DutchWest stove provides beautiful simplicity that blends seamlessly with any décor.



And, with solid cast iron construction, remarkable state-of-the-art features and outstanding efficiency, you can be sure your DutchWest stove is made with quality you can see — and feel! With options in both catalytic and non-catalytic operation, each with three available sizes, there's a DutchWest stove designed to meet your heating needs.

**FAST-STARTING.
LONG-BURNING.
REMARKABLY EFFICIENT.**
Just what you expect
from DutchWest.

DISCOVER

which DutchWest stove is right for you.

These stoves come in two different kinds of combustion technology:

CATALYTIC & NON-CATALYTIC

Consider your unique heating needs as you decide which is right for you.

HOW DO YOU PLAN TO USE YOUR WOOD BURNING STOVE?

CATALYTIC

If you're looking to replace a major portion of your heating needs with a wood stove, catalytic combustion is ideal, featuring:

- Higher efficiency heat output to help lower fuel costs
- Longer, more even heat output with thermostatic air control
- Reduced particulates for a cleaner, more eco-friendly burn

NON-CATALYTIC

Ideal for those with less heating demands, non-catalytic stoves are easy to start, operate and maintain, featuring:

- Lively flame picture
- Easy to use and maintain

CATALYTIC STOVES

Our DutchWest Catalytic Stove is available in three sizes to suit any heating need. Available in Small, Large and Extra-Large

Save On Fuel Costs

DutchWest catalytic stoves use a convection-like system for longer, more even heating. This high efficiency method helps produce more heat from less wood, which in turn, helps reduce fuel costs to heat your home.

Clean-Burning Performance

Thanks to the help of the catalyst, smoke particulates are reduced to as little as 1.1 grams per hour. This ensures your family can enjoy a clean-burning stove that delivers all the heating power they need to keep warm.

Large, Clear Viewing Area

The large glass door provide an unobstructed view of the beautiful flames. The overfire airwash ensures the glass stays clean so friends and family can enjoy the view for years to come.

Stovetop Cooking

The unique, raised griddle provides the perfect spot to warm bread or cook other foods while enjoying the warmth and beauty of your cast iron stove.



Additional Features:

- Traditional Federal styling
- Solid, durable cast iron construction
- Decorative polished nickel accents
- Ash pan for convenient ash disposal
- “Fall Away” handle is cool to the touch, and easily stows away at the side of the stove.
- Ash lip adds to the stoves cleanliness by catching ashes when using the front-loading door.
- Top and rear reversible flue collar – allows you to choose between the top and rear venting configurations.
- Side-loading design provides easy access when loading the stove.
- Bottom heat shield to accommodate standard hearth pad

Optional Accessories:

- Dual speed convection fan
- Rear and bottom heat shield
- Fan thermostat
- Fan Rheostat

NON-CATALYTIC STOVES

With three different sizes, you can easily find the right stove for any room size. Available in Small, Medium and Large

Efficient Warmth

DutchWest non-catalytic wood stoves earn high marks with the EPA for their outstanding emissions performance. In fact, DutchWest stoves are among the cleanest in the wood stove industry with emissions of less than 1.5 grams per hour!

Maximum Viewing Area

The large glass doors are designed with a clean face for an unobstructed, clear view of the dancing flames. And, an optional convection air blower augments the superior radiant heating ability of cast iron construction to deliver heat throughout your home.

Longer Burn Times

The state-of-the-art EVERBURN combustion system causes the gases produced from burning wood to mix with just the right amount of air to ensure they are burned completely. This produces cleaner emissions. Plus, DutchWest non-catalytic stoves can burn more steadily and longer on a single load of wood compared to other non-catalytic stoves.



Additional features:

- Durable refractory lining
- Front and side-loading provides easy access when loading the stove.
- Leg levelers allow the stove to be installed on uneven or rough surfaces.
- Ash pan for convenient ash disposal
- “Fall Away” handle is cool to the touch, and easily stows away at the side of the stove.
- Ash lip adds to the stoves cleanliness by catching ashes when using the front-loading door.
- Top and rear reversible flue collar – allows you to choose between the top and rear venting configurations.
- 100% outside air connection with 3-inch diameter equipment connection comes standard. A 3-inch outside air kit is required to complete outside air installation.
- Beautiful andirons add decorative appeal and help contain wood load.

Optional Accessories:

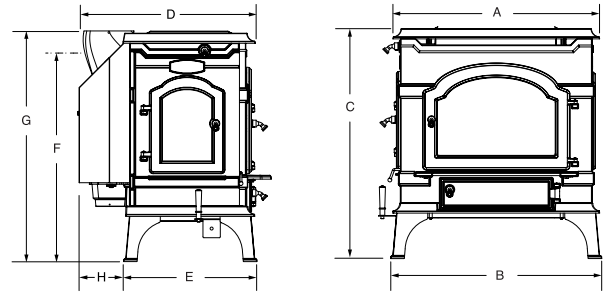
- Fan kit with rheostat
- Side heat shield
- Flue collar heat shield
- Outside air termination kit
- Mobile home kit – 2477 stove only (US and Canada)

CLASSIC GOOD LOOKS. REMARKABLE PERFORMANCE. PURE AND SIMPLE.

CATALYTIC STOVE SPECIFICATIONS

Size/Model #	Extra-Large (2462)	Large (2461)	Small (2460)
Max BTUs per Hour	55,000	40,000	35,000
Efficiency Rating	74.3%	75.9%	69.7%
EPA Emissions Rating**	1.3 grams/hr.	1.4 grams/hr.	1.1 grams/hr.
Heating Capacity	1,200-2,400 sq. ft.	800-1,600 sq. ft.	700 - 1,400 sq. ft.
Log Size	25"	22"	19"
Burn Time	Up to 12 hrs.	Up to 10 hrs.	Up to 8 hrs.
Flue Collar Size	8" oval, reversible	6" round, reversible	6" round, reversible
Bottom Heat Shield	Yes	Yes	Yes

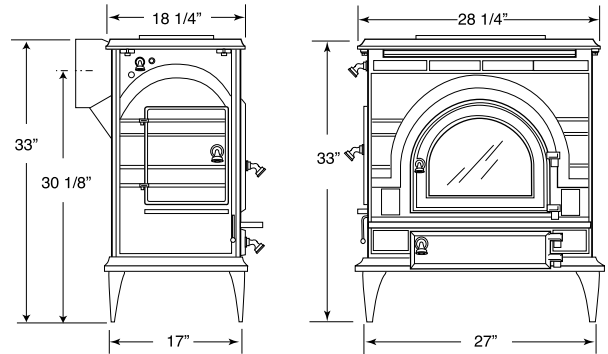
Catalytic



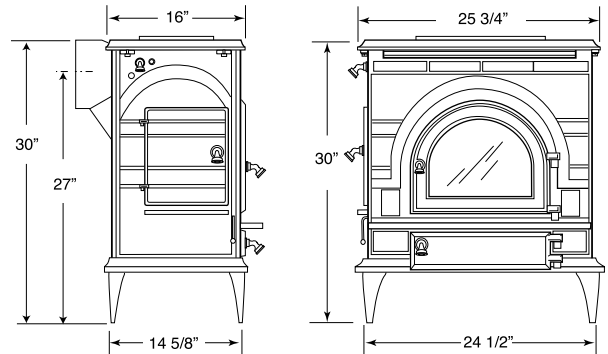
NON-CATALYTIC STOVE SPECIFICATIONS

Size/Model #	Large (2479)	Medium (2478)	Small (2477)
Max BTUs per Hour	55,000	40,000	35,000
Efficiency Rating	63%*	63%*	63%*
EPA Emissions Rating**	1.31 grams/hr.	1.49 grams/hr.	1.41 grams/hr.
Heating Capacity	1,000-2,400 sq. ft.	800-1,600 sq. ft.	700-1,400 sq. ft.
Log Size	22-24"	20-22"	19"
Burn Time	Up to 14 hrs.	Up to 10 hrs.	Up to 8 hrs.
Flue Collar Size	6"	6"	6"
Bottom Heat Shield	Yes	Yes	Yes

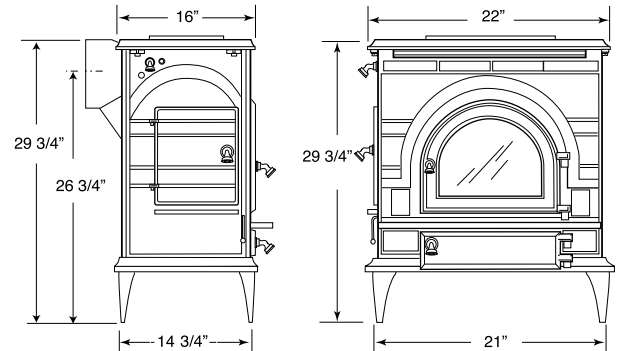
Non-Catalytic Large (2479)



Non-Catalytic Medium (2478)



Non-Catalytic Small (2477)



A brand of Monessen Hearth Systems Co.
149 Cleveland Drive, Paris, Kentucky 40361



To avoid personal injury or property damage, the product described by this brochure must be installed, operated and maintained in strict compliance with the instructions packaged with the product and all applicable building or fire codes. Contact local building or fire officials about restrictions and installation inspection requirements. All photographs and drawings on this brochure are for illustrative purposes only and are not intended for, nor should they be used as a substitute for, the instructions packaged with the unit. Appearance and specifications of the product are subject to change without notice.
©2011 Monessen Hearth Systems Co. 11050_0711 DW1011 Ver1

Your Dealer

